

# how to build your



# timber deck

Few additions to the home or garden can match a timber deck for usefulness, natural beauty and sheer enjoyment. Decks offer an outdoor living space for dining, entertaining or simply relaxing with your favourite book. They also provide children with an excellent and safe place to play.



A carefully built deck, made from the engineered components from ATKINSONS will give years of pleasure and add value and architectural interest to your home. But the best news about a deck is that it is an ideal home improvement project well within the scope of the average handy man or woman.

Design is straight forward using calculated size joists, posts, railings and deck boards, all readily available from ATKINSONS. No advanced carpentry skills are required. If you can drill holes, tighten screws and bolts, read a spirit level and use a saw, then building a deck should not pose any problems.

## what is ?

TANALISED® timber is wood that has been pressure impregnated with TANALITH® wood preservative. TANALITH® has been used effectively and safely for more than 50 years in the UK for garden environment applications. Totally protected against fungal decay and insect attack the treated timber is clean, odourless and ideal for all ground contact applications. All timber used is also quality graded and kiln dried.

## tools and fixings

Simple DIY tools are all you need to build your deck. A drill, a hammer, a hand saw and power saw, a screwdriver, a tape measure and spirit level.

Make sure that all your fixings - screws, bolts, nails, etc are hot dipped zinc coated or otherwise rustproof. This is because TANALISED® timber components will last long after ordinary fixings have rusted or have been weakened by corrosion. Screws do take somewhat longer to fix than nails, but they do hold the timber more securely, allow for easier removal and look neater, eliminating unsightly indentations from hammer blows. All fixings are available from ATKINSONS.

## planning your deck

Plan the design of your deck around existing factors within your garden - areas of sun or shade, ease of access, shelter from prevailing winds and anticipated use. Then prepare an initial design to work to - ATKINSONS can provide advice on this and recommend safe spans and spacing measurements for correct construction.

Your deck will be built from various ATKINSONS components - joists, deckboards and posts but can also include extras such as bannisters, handrails, or special deck floor designs.

These ATKINSONS components are readily available from stock in the following sizes:

deckboards	125mm x 32mm
joists	75mm x 50mm x 3.6m 100mm x 50mm x 4.8/3.6m 150mm x 50mm x 4.8/3.6m others on request.
posts	100mm x 100mm others on request.
banisters	Turned, bevelled and square. Steel banisters also available.
handrails	75mm x 50mm

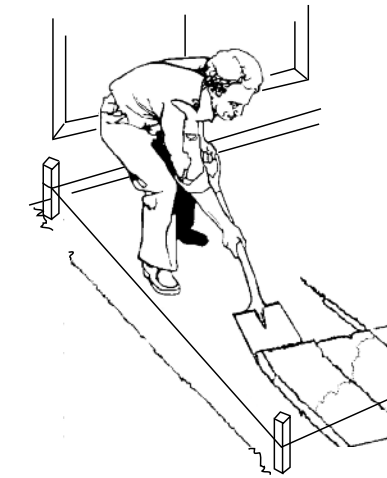
All materials are kiln dried, pressure treated softwood, planed all round and eased on four edges to provide high quality, smooth surfaces for hand or foot contact.

The following instructions give details for a simple deck design. Examples of decks are also on show at our show sites at Front Street, Glasshoughton, Castleford and Low Road, Hunslet, Leeds, as well as our Castleford Green Lane factory. All sites have 10 full size decks on display.



## constructing your deck

### STEP 1 level the site

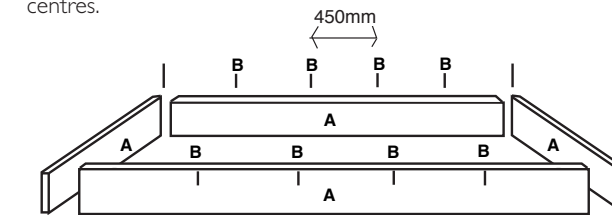


Mark out the area to be occupied by your deck with wooden pegs and string. This will help you to visualise the size of the finished deck and serve as a guide for preparing the site. If the site you have chosen is lawned, it is recommended that the turfs are removed. Make sure that the site is level.

**TIP - If your site is on bare earth you can prevent the growth of unwanted vegetation under your deck by covering bare ground with WEED SUPPRESSION MEMBRANE, followed by gravel.**

### STEP 2 create the frame

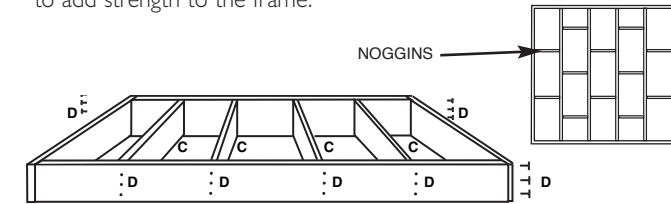
Cut the side joists (A) that will form the sides of the deck to the size you require and mark the position of the floor joists (B) at 450mm centres.



Cut the deck floor joists (C) to length and place the side and floor joists in the position where the deck is required. Brush all cut ends with Ensele® end grain preservative solution available from ATKINSONS.

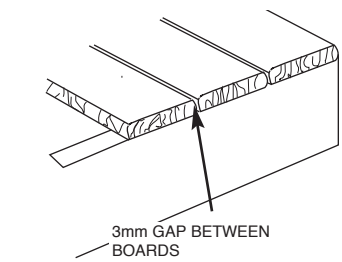
Assemble the frame work using 3" screws in pre-drilled holes, 3 screws per joist-end and/or floor joists (D) or use Joist Hangers - available from ATKINSONS.

Noggins (short pieces of timber) should be fitted between joists to add strength to the frame.



### STEP 3 fixing the deckboards

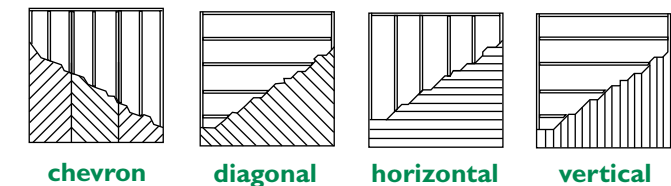
If you are not fixing posts or railings to your deck, deckboards can now be fixed. Deckboards are available in a range of profiles and also with a ridged surface to provide an anti-slip feature during wet weather.



Cut your deckboards to the required length. Place the first board flush with the face of the joist at the front of the deck and fix, using deck clips or screws. Repeat the fixing on each joist support along the length of the deckboard. Install the

remaining boards in a similar way, leaving a 3mm gap between boards.

Deck boards can be laid in a number of different styles and a sample of just some of the possibilities are shown in the diagrams below. It is important that you decide on the deckboard style before assembling the support joists as some patterns will affect the spacing and number of joists, eg. a double joist will be needed for the 'Chevron' style.



continued over ● ● ●



# ATKINSONS

FENCING & DECKING SPECIALISTS

[www.atkinsonsencing.co.uk](http://www.atkinsonsencing.co.uk)



furniture



lanterns



feature plants



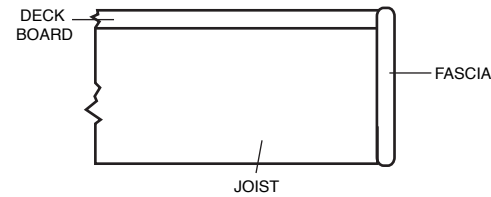
decking

## Bringing ideas to life

Green Lane, Cutsyke,  
Castleford, WF10 5JL.  
Telephone 01977 550441  
Fax 01977 515321

[www.atkinsonsencing.co.uk](http://www.atkinsonsencing.co.uk)

3 show areas at Low Road, Hunslet,  
Leeds, Front Street, Glasshoughton  
and Green Lane, Castleford.

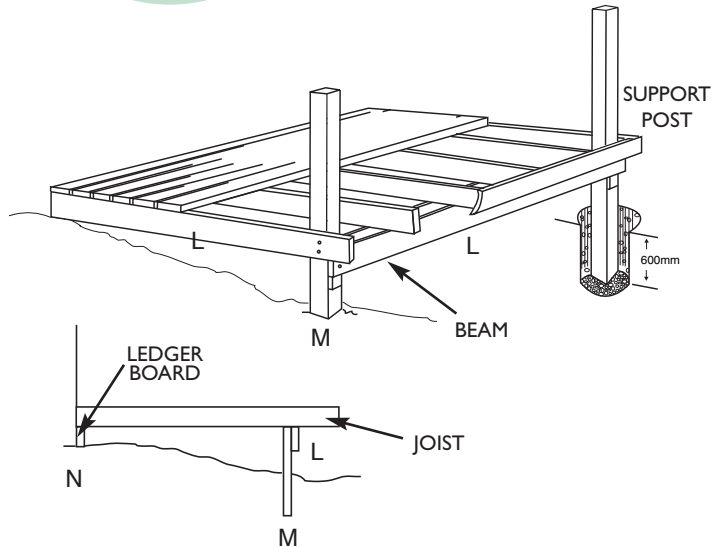


Finish off your deck by fitting deck boards as a fascia to the side joists. These serve as a protection and also conceal the cut ends of the deckboards. For best results the corners of these fascia boards can be mitred.

For more ambitious deck constructions we recommend that you discuss your requirements with our staff who have a wide range of experience in deck construction.

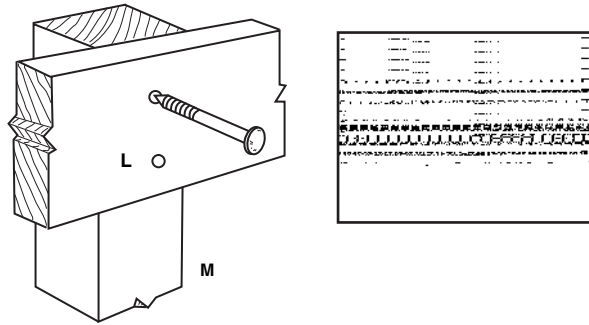
### STEP 4 what to do if your site is sloping

If your site is not easily levelled or is sloping then the framework should be supported on 50mm x 150mm beams (L) bolted to 100mm x 100mm posts (M) - see diagram below.



To raise your deck above the ground level it is recommended that a ledger/header board is securely fixed to the house wall (N) to provide a support for the floor joists. In doing this, care should be taken not to cover any air bricks or compromise the damp proof course of your property. If in doubt, consult your Local Authority Building Control Office.

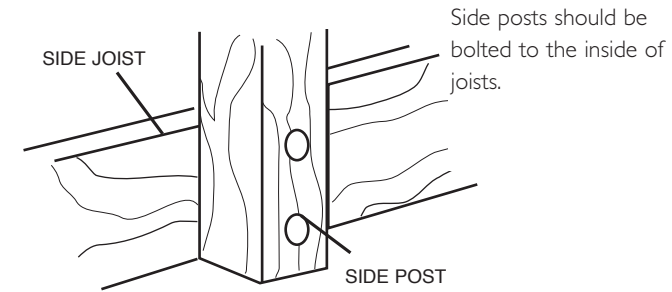
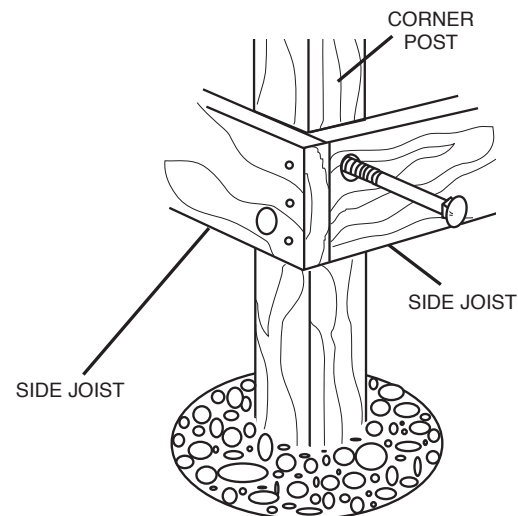
Secure beams to posts. Using a level find the desired deck floor height on the posts. By subtracting the thickness of the deckboard and joist you will have determined the correct height for securing the top of the beam to the post. Carefully mark all 4 sides of all posts. You may cut all posts except those that you want to serve as railing supports. Fasten the beam to the post, keeping post and beam flush. Attach joists to the ledger (N).



### STEP 5 fitting railings to your deck

The safety and beauty of your deck can be enhanced by railings. Install the posts for railings prior to fixing your deckboards in position. These can be a continuation of posts which support a deck on a sloping site - see Step 4, or railing posts fixed directly to the side joists of a flat deck. A post will be required at each corner and at regular intervals on straight sections.

Corner posts should be bolted or screwed to the joists on the inside of each corner.



**NB - for raised decks posts should be bolted to 50mm x 150mm beams only to provide safe resistance to leverage.**

Once posts have been positioned and fixed, handrails and baserails can be fitted to the top and just above the base of the posts. Bannisters, in a choice of designs, can then be fitted between the top and base rails, with a recommended maximum gap of 100mm.

## cross cut components

Our decking components are manufactured from softwoods from managed forests and pressure treated with an approved waterborne preservative to British Standard Specifications.



One reason why TANALISED® timber lasts so long in outdoor situations is that after treatment the preservative is permanently fixed in the wood and forms a chemical bond which is leach resistant. To maintain the integrity of the treatment, however, all cut-ends should be brushed with ENSELE® end grain solution, available from ATKINSONS.

**REMEMBER** To ensure your deck is a stable structure, only good quality timber and pressure preservative treatments should be used. All ATKINSONS decking timbers meet this requirement.

## maintenance of your deck



TANALISED® timber is a low maintenance material. The preservative is locked in the wood for good and no further treatment is necessary, unless you wish to add colour to your deck with a wood stain or wood oil. For this we would recommend

**Hickson Decor Wood Stain** or **Hickson Decor Wood Oil** both held in stock at Atkinsons. In time the green-brown colour of the freshly treated wood will fade to an attractive pale, sun-bleached hue.



However, it is recommended that the exposed surfaces of your garden deck are given a coat

of a clear water sealant, such as **Hickson Decor Waxcoat** every few years to provide a water repellent protection to the treated timber.



Also, **Hickson Decor Antislip** is available for flat profile decking boards.

A brush applied treatment, **Hickson Decor Antislip** provides a fine aggregate texture to the boards and any steps to resist slipping in wet weather and also protects against mould growth on the decking surface.



## safety notes

Because the preservative is fixed in the wood before you buy it, our decking components are perfectly safe and pose no risk to people, animals and plants. When installing your garden deck follow the safety guidance recommended below which is mostly common sense and applies equally to working with all types of timber and board materials.

Wear work gloves to avoid splinters.

Avoid prolonged inhalation of sawdust from wood.

When using power tools wear safety goggles to protect eyes from the possibility of flying particles.

Dispose of treated wood off-cuts as ordinary household waste.

Wash hands after working with any construction material and before eating or smoking.

Treated wood should not be burned in open fires, barbecues, stoves or fireplaces.