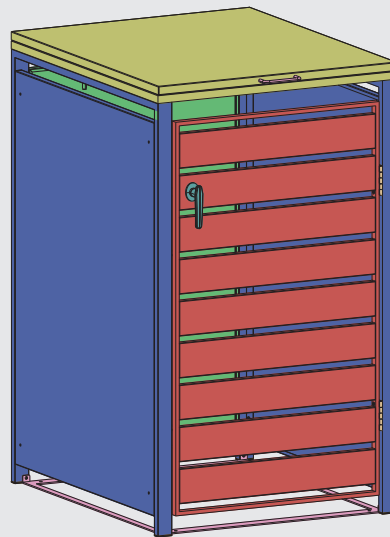


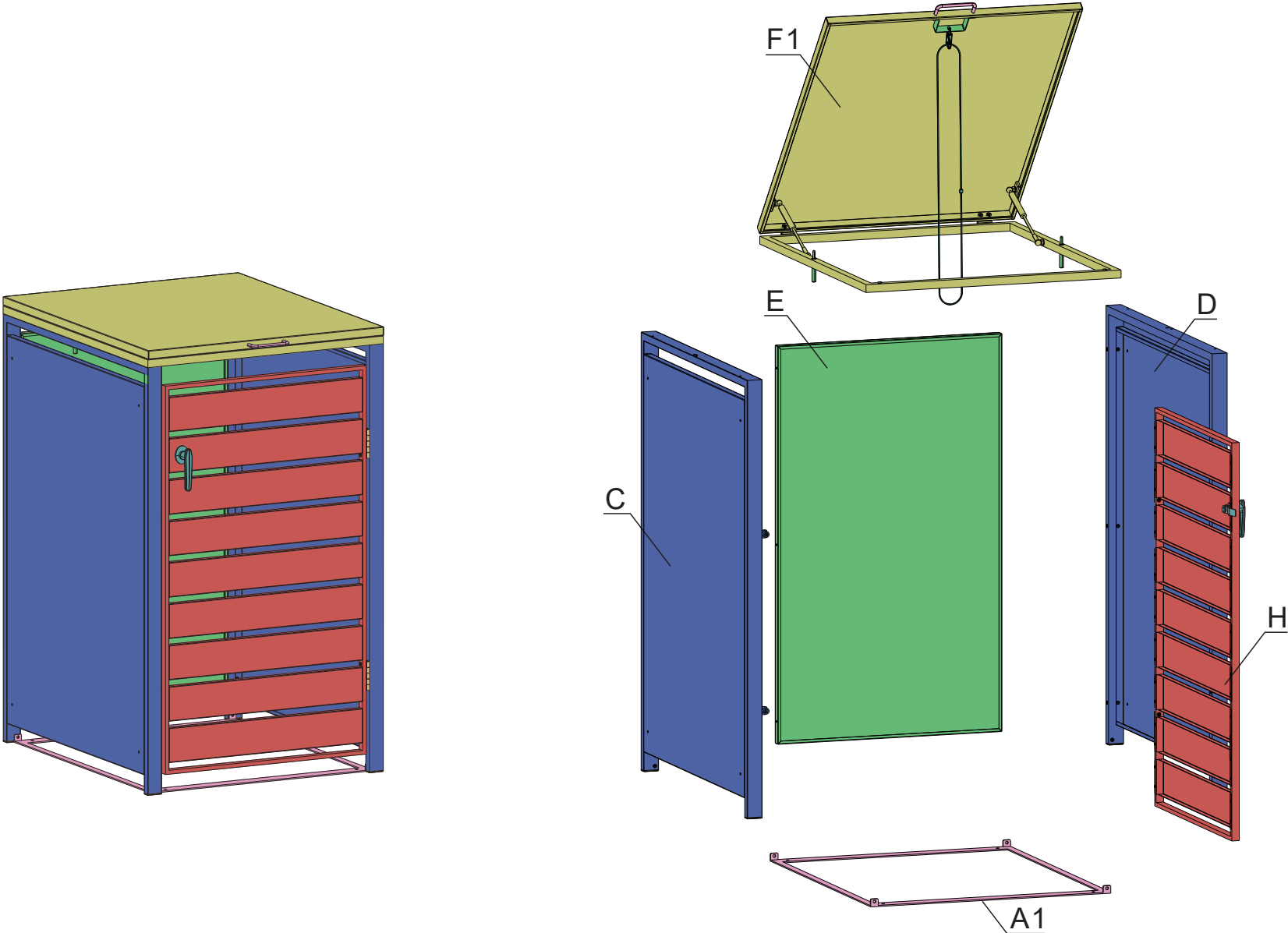


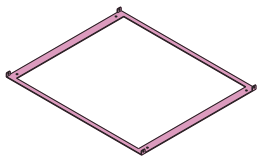
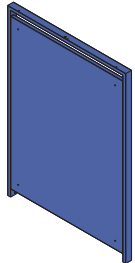
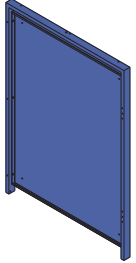
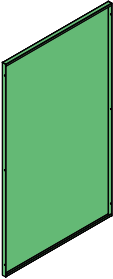
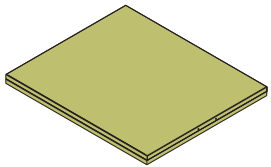

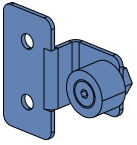
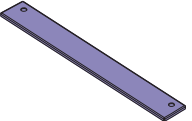
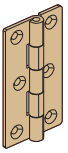
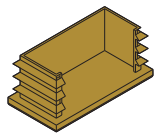
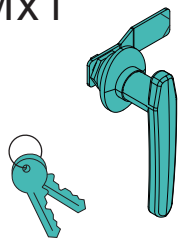
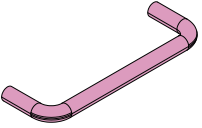
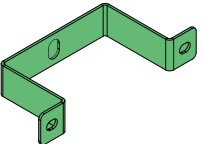

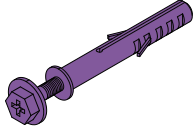

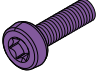
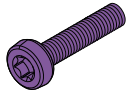

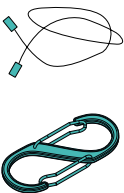


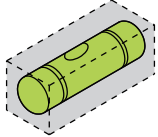
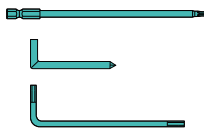
## Installation Guide

ECOBLCS – Bin Storage with Lid, Charcoal, Single

ECOBLWS – Bin Storage with Lid, Charcoal and Woodgrain, Single

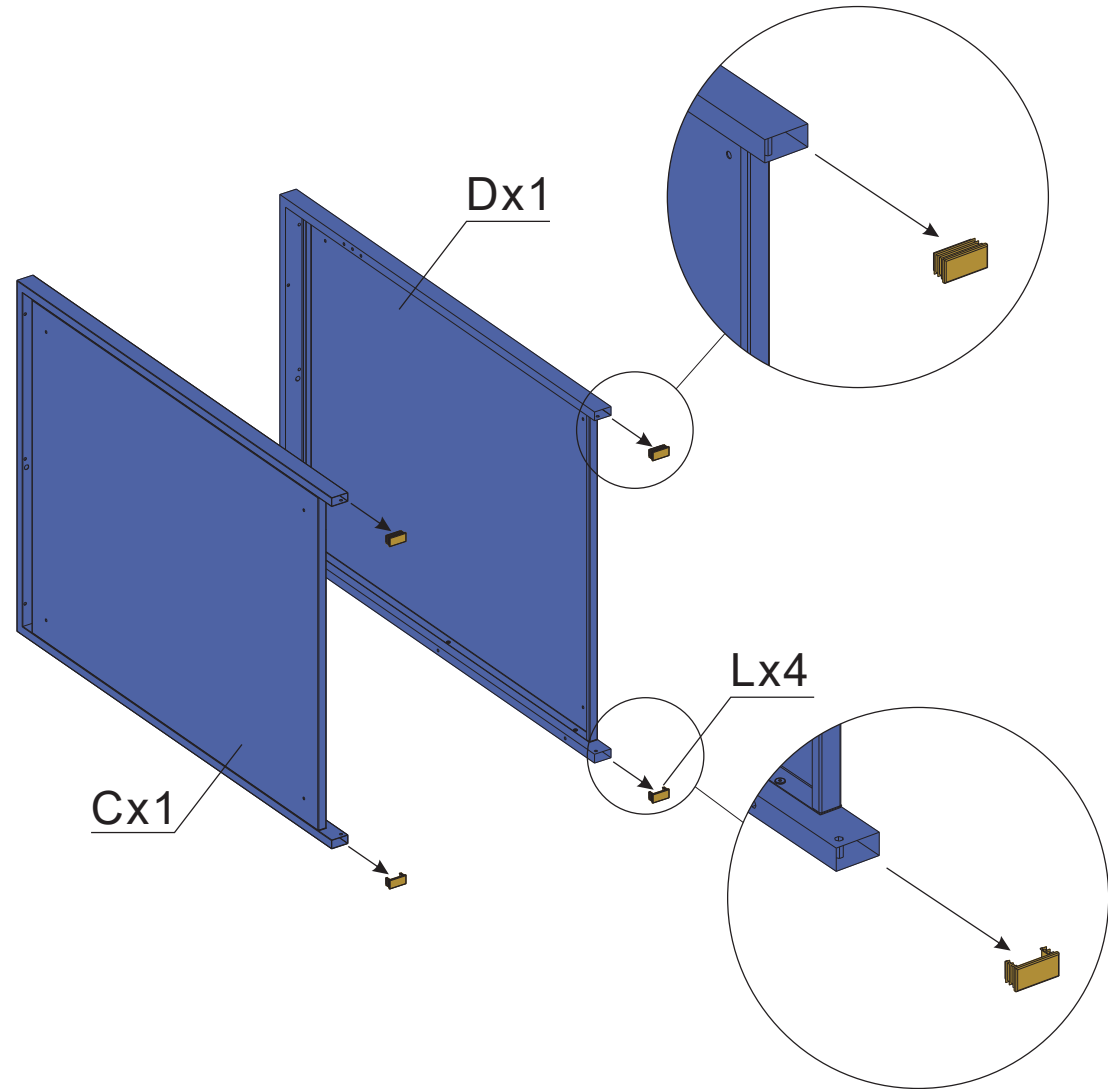
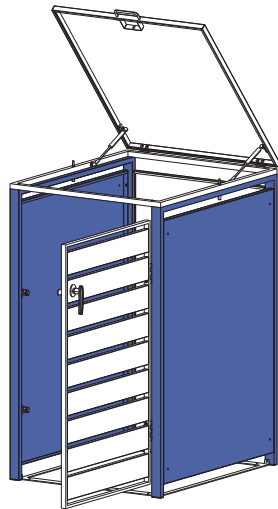
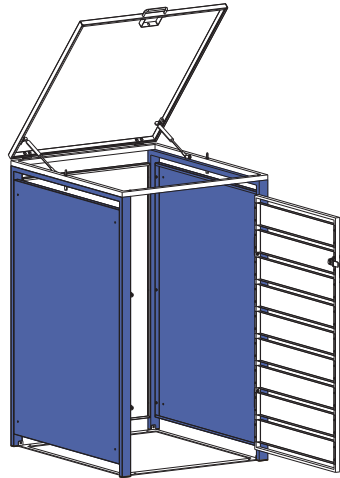




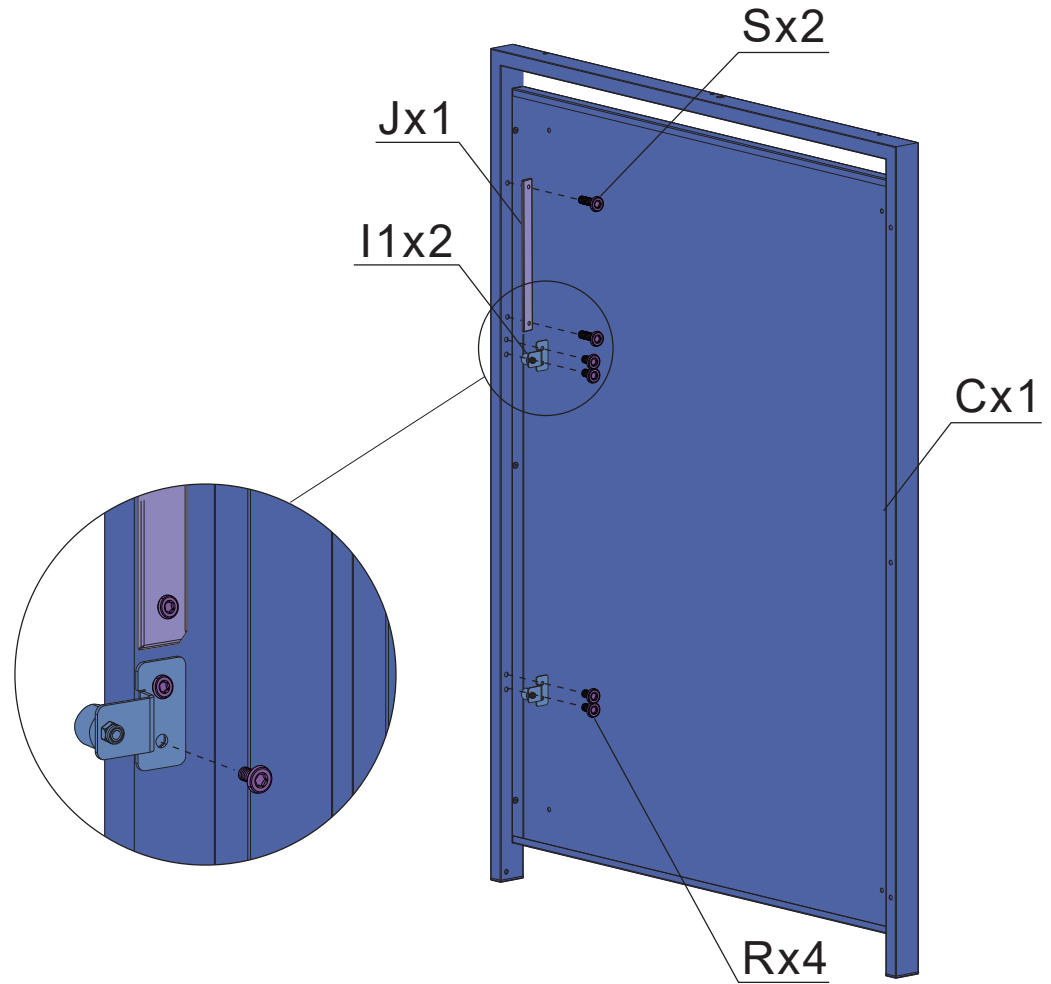
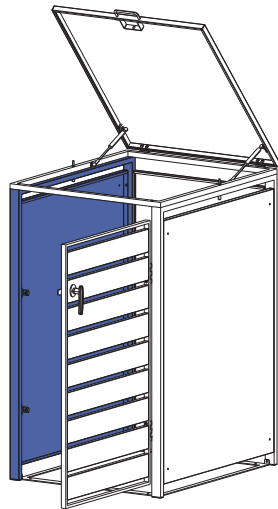
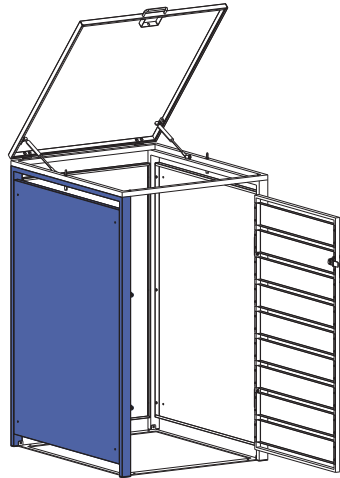
<p>A1x1</p> 	<p>Cx1</p> 	<p>Dx1</p> 	<p>Ex1</p> 	<p>F1x1</p> 		
<p>Hx1</p> 	<p>I1x2</p> 	<p>Jx1</p> 	<p>Kx2</p> 	<p>Lx4</p> 		
<p>Mx1</p> 	<p>Nx1</p> 	<p>Ox1</p> 	<p>Px2</p> 	<p>Qx4</p> 	<p>Rx10</p>  <p>M4x10mm</p>	<p>Sx8</p>  <p>M4x20mm</p>
<p>Tx6</p>  <p>M4x30mm</p>	<p>Ux16</p>  <p>M4x14mm</p>	<p>Vx1</p> 	<p>Wx4</p> 	<p>Xx4</p> 	<p>Yx1</p> 	<p>Zx1</p> 

If you want to connect another bin storage please use part S, W and X.

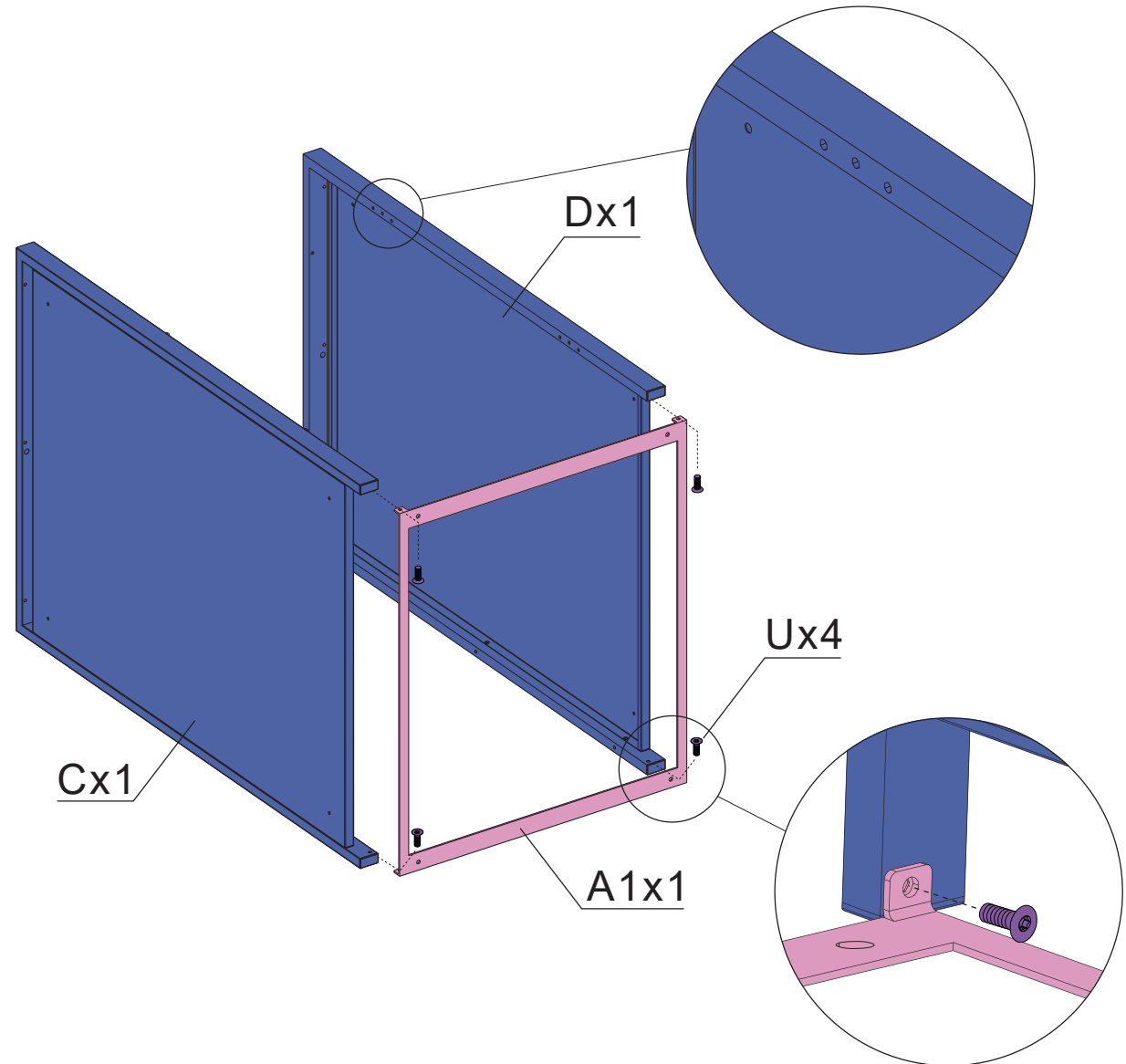
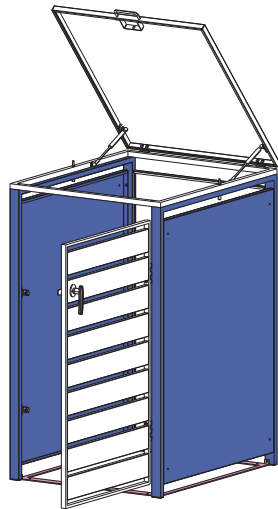
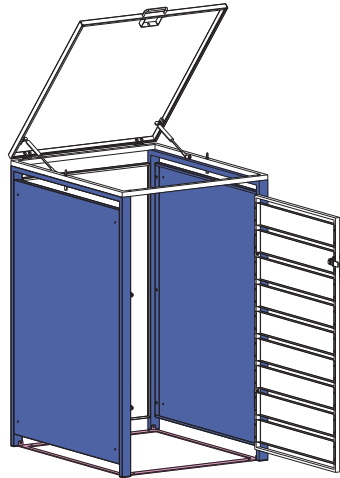
STEP 1



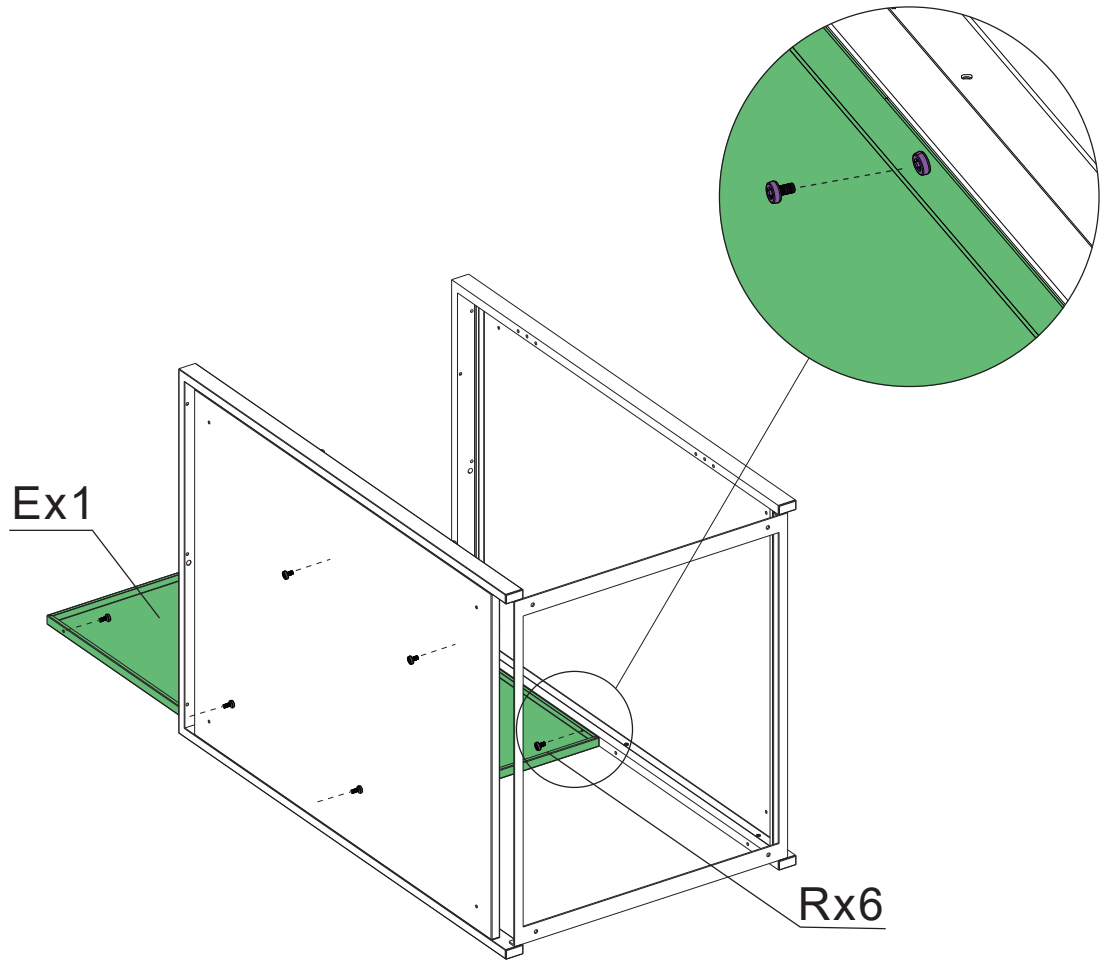
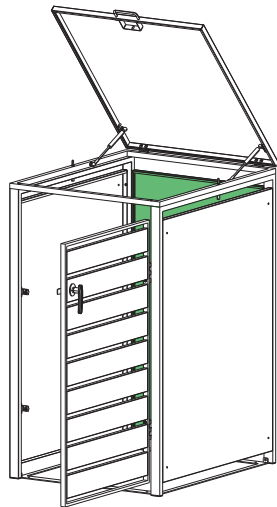
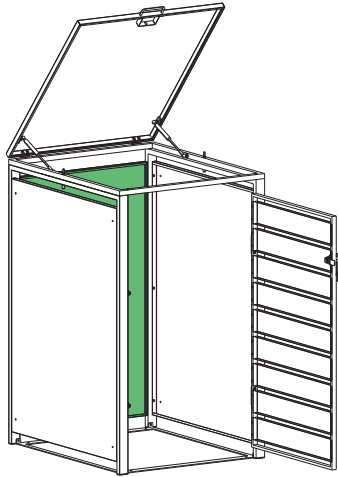
STEP 2



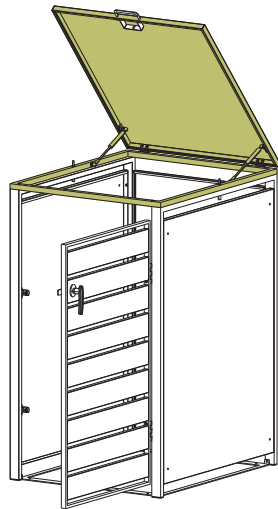
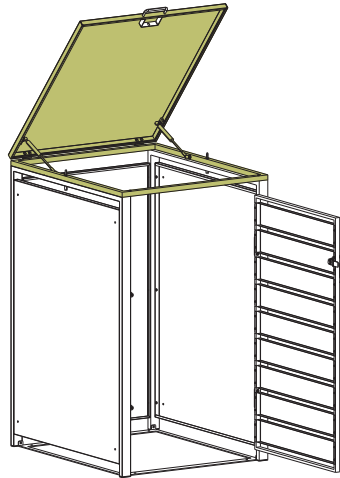
STEP 3



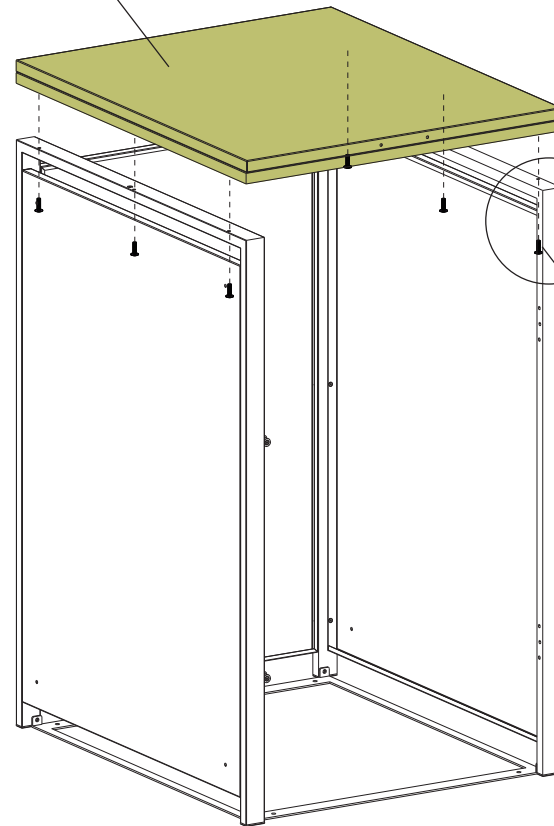
STEP 4



STEP 5

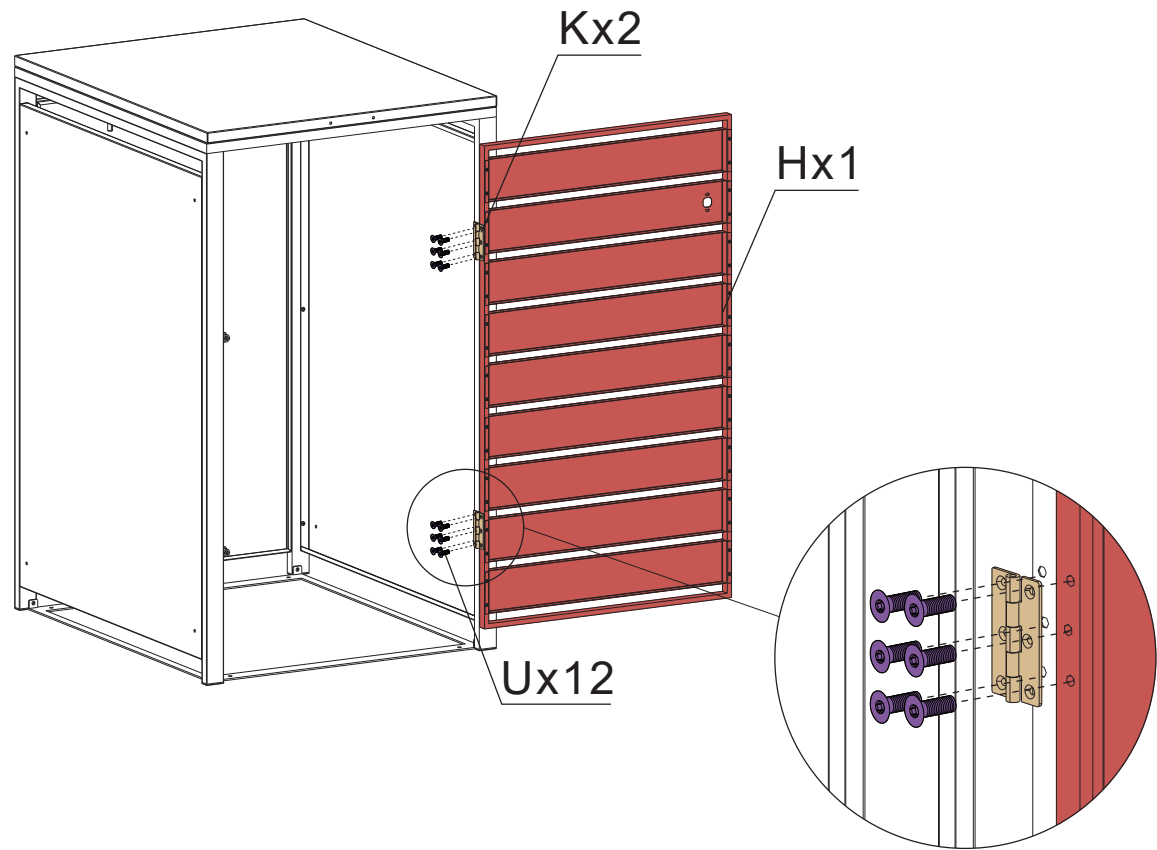
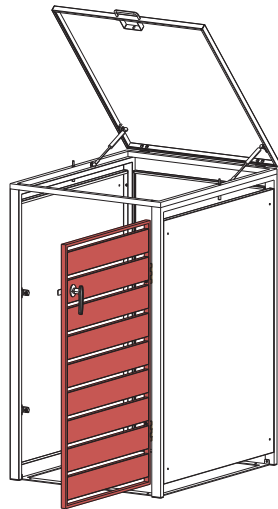
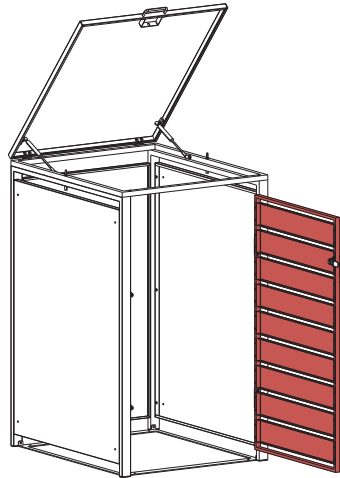


F1x1

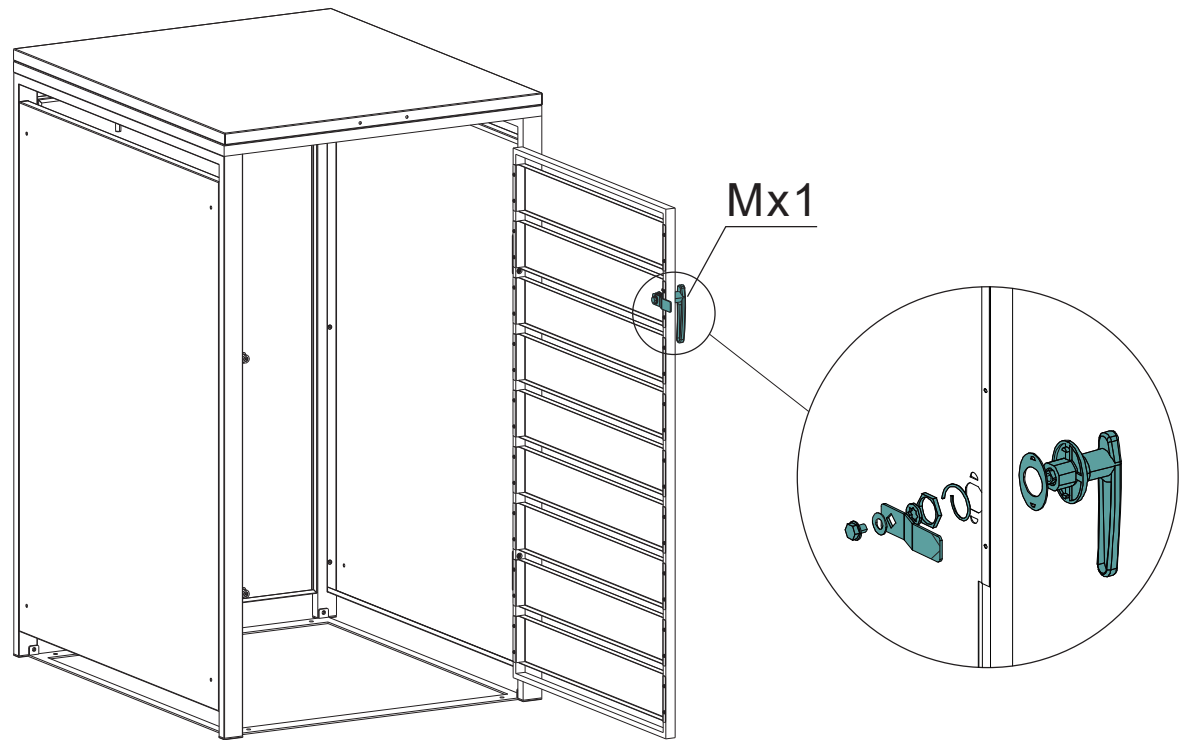
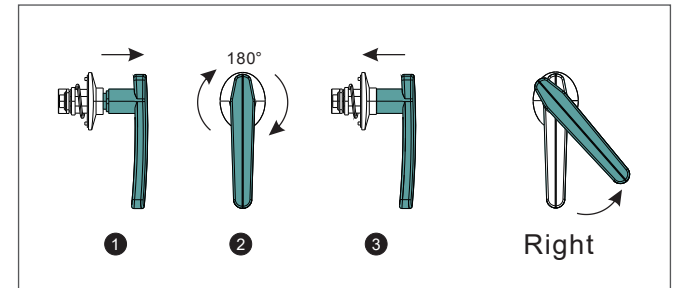
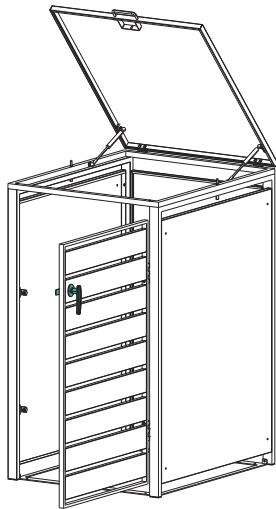
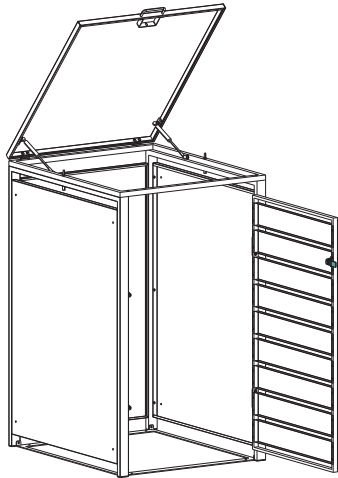


Tx6

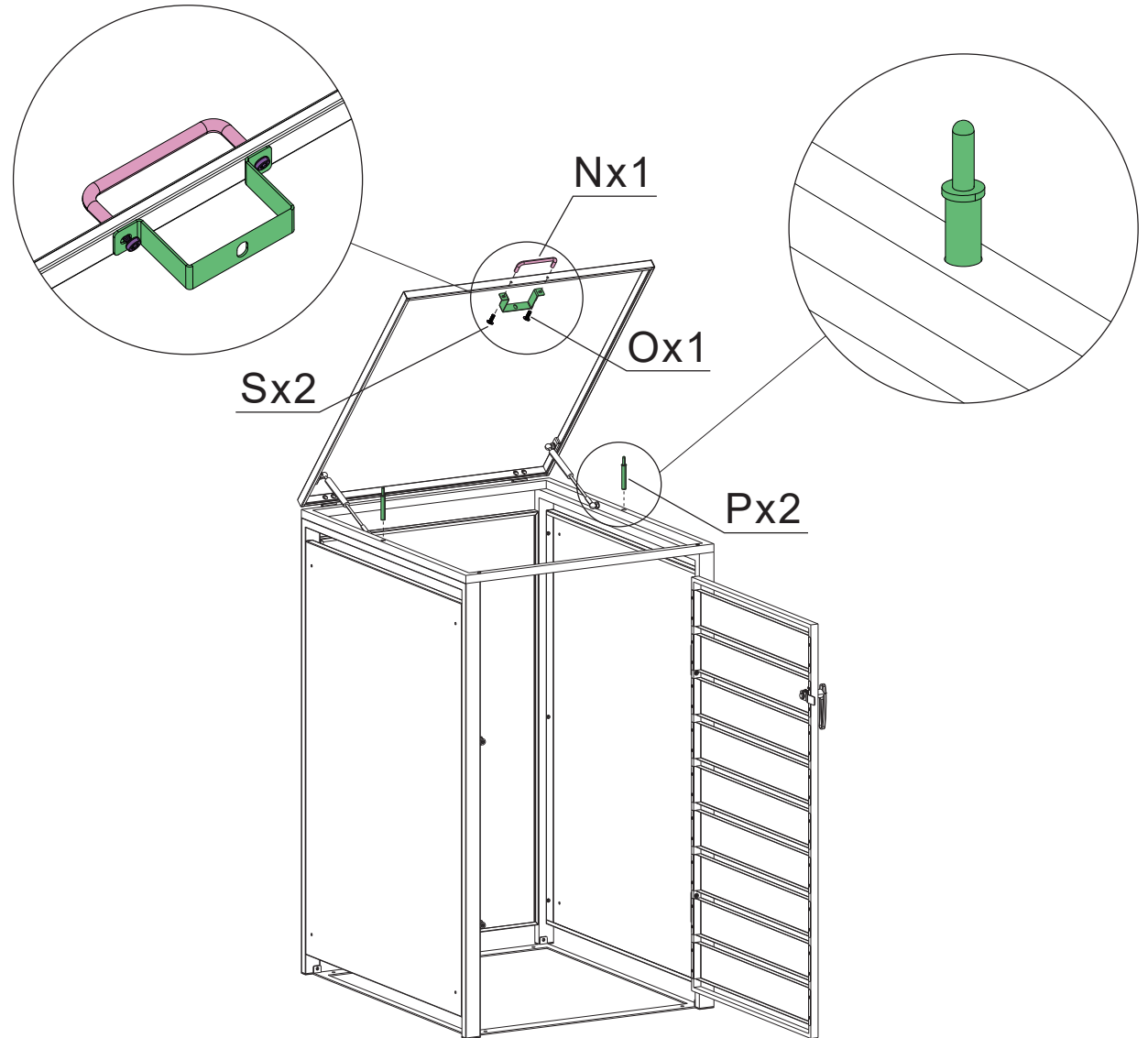
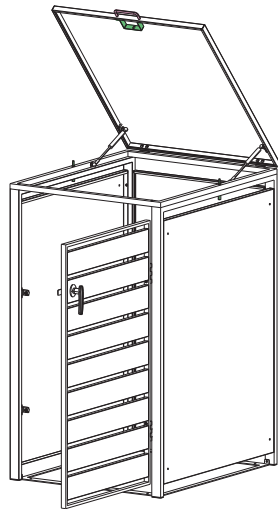
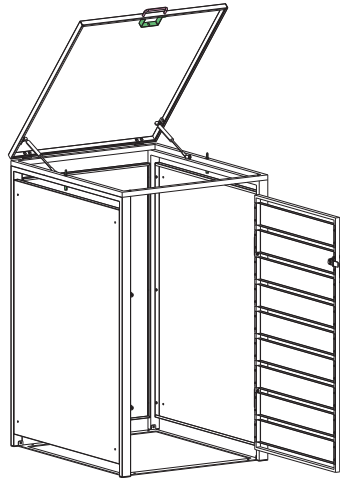
STEP 6



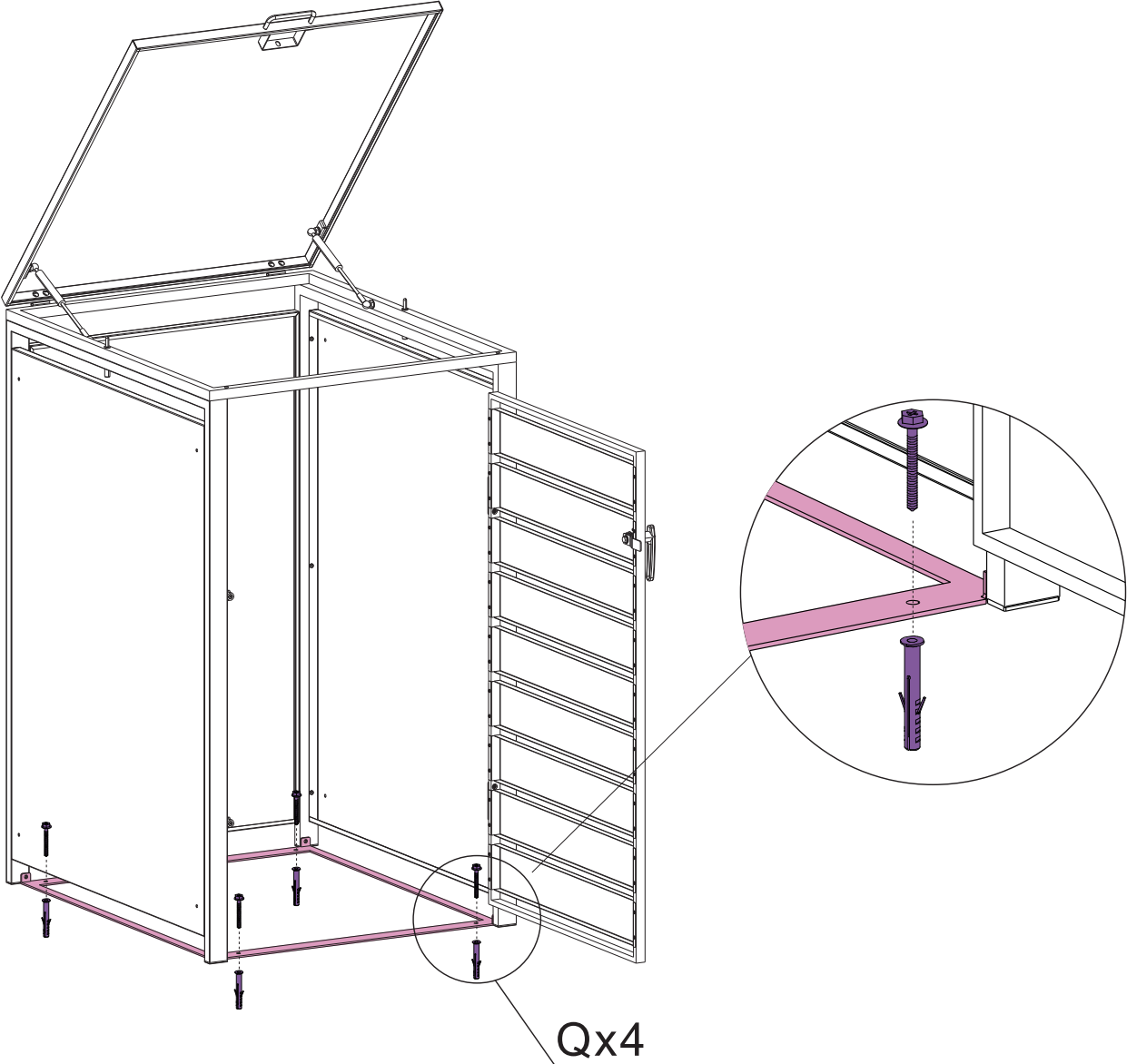
STEP 7



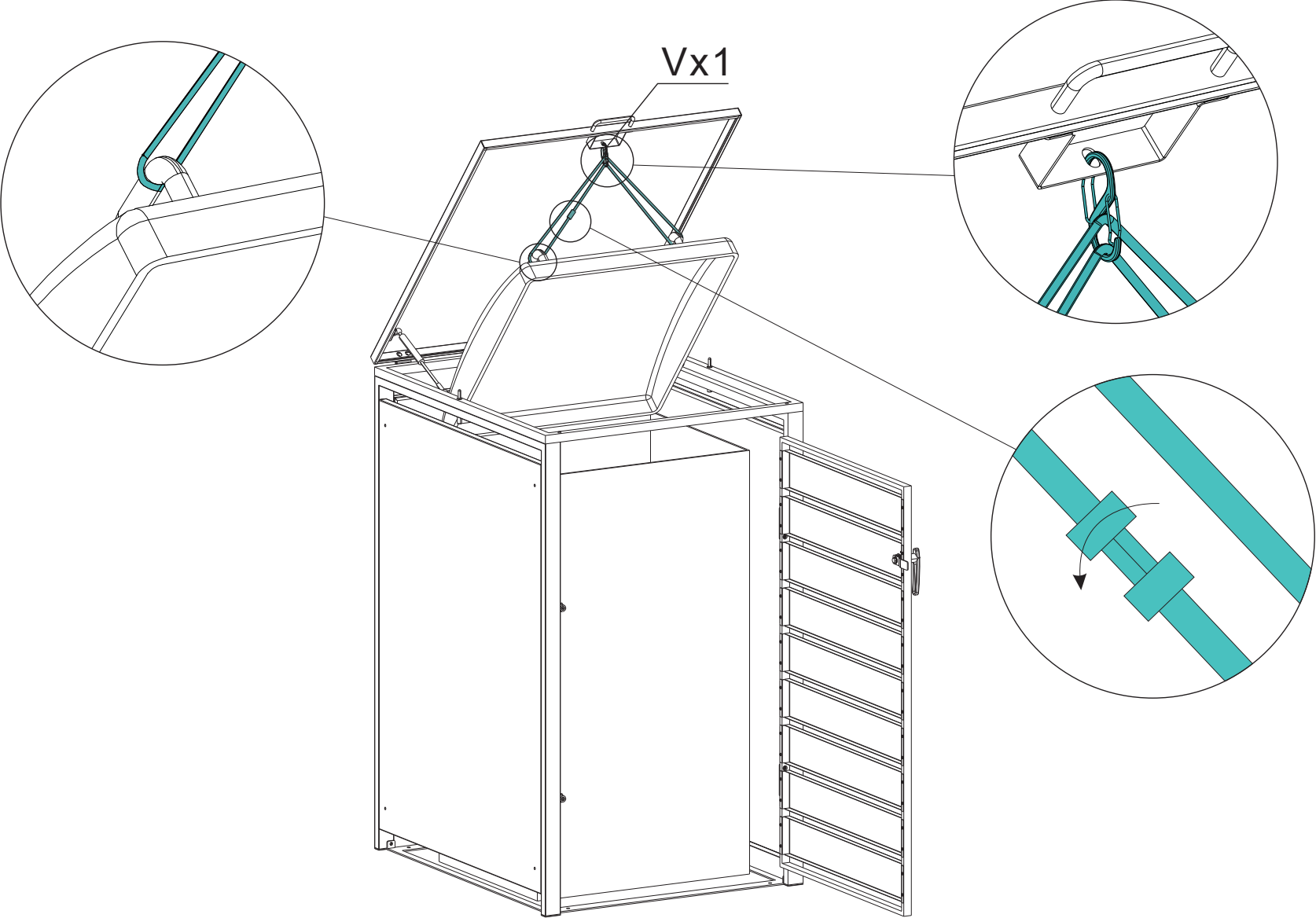
STEP 8



STEP 9



STEP 10







[www.ecoscape.co.uk](http://www.ecoscape.co.uk)

Contact our Sales team:

[sales@ecoscape.co.uk](mailto:sales@ecoscape.co.uk)

01706 364 637

